



GROUND SCREWS & ANCHORS BROCHURE

NO DIG, NO CONCRETE & ENVIRONMENTAL FRIENDLY



Anping County Wennian Wire Mesh Products Co., Ltd.

www.post-anchors.com

CONTENTS

1	Company Profile	01-02
2	Ground Screws	03-08
3	Ground Anchor	09-14
4	Post Spikes	15-17
5	Post Supports	18-22
6	Post Base	23-25

Company Profile



Anping Wennian Wire Mesh Products Co., Ltd is an energetic enterprise, founded by Tracy Guo in May 2008, since the company established, in the process of operation, we always obey integrity-based, quality-oriented and the principle of everything according to customers' need, than faith, than service, to provide you with the purchase of products do the selection, providing you with the most economic price and the perfect pre-market and after-sales service.

Anping Wennian Wire Mesh Products Co., Ltd adopts the advanced ERP Management System, which can be with effective cost control, risk control, optimizing and changing the traditional production processes, improve the operating efficiency, the full realization of "Collaboration", "Quick Service" and Agile handling.



MAIN PRODUCTS

- Ground Screws
- Ground Anchors
- Post Spikes
- Post Supports
- Post Bases

MAIN MARKETS

- Europe
- America
- Asia

MAIN BRANDS

- SINODIARMEND
- HB JINSHI

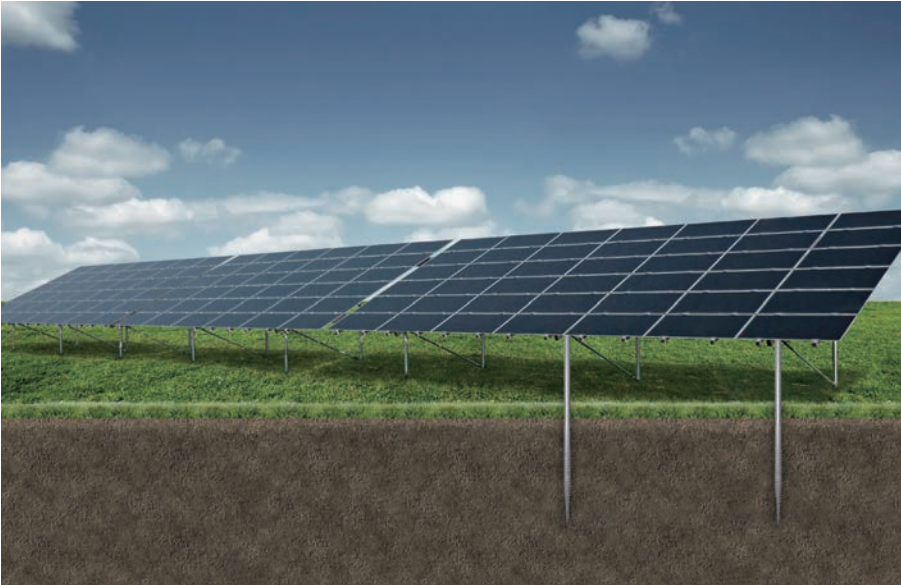
MAIN Exhibitions

- Russian Building exhibition
- Las Vegas Hardware exhibition in USA
- Australia building materials and design exhibition
- SPOGA+ Gafa in Cologne
- Canton Fair

Welcome friends from all walks of life to come to visit, guidance and business negotiation.

New century, new challenges and opportunities, we will continue to innovate and provide you with quality products and competitive price.

Ground Screws



Ground screws are widely used to firmly fasten the solar energy panels, wire mesh fences and other buildings to the soil ground.

- Screws increase the contact area for easy driving under the ground and firmly earth grasping capacity.
- Hot-dipped galvanized surface for best corrosion and rust resistance.
- Higher bearing capacity, pull-out resistance and side friction resistance.
- Saving time and easy and fast to install. No digging and no concrete.
- Cost effectively.

THREE MAIN TYPES OF GROUND SCREWS:



■ Ground screws without flange plates



■ Ground screws with U-shaped plate



■ Ground screws with flange plates

Ground Screws Without Flange Plates

■ Ground screws without flange plates

It is fastened through bolts and nuts. Cheap price and easy to adjust. It is widely used for solar panel base support, agriculture fence, garden fence and sun umbrella fixation.



	■ Outer diameter: 60/68 mm
	■ Length: 550/570/580 mm
	■ Pipe thickness: 1.5–2 mm
	■ Holes: 3 × dia. 16 mm

	■ Outer diameter: 76/114 mm
	■ Length: 1200/1600/1800/2000 mm
	■ Pipe thickness: 3–4 mm
	■ Holes: 4 × dia. 13 mm

	■ Outer diameter: 68 mm
	■ Length: 560 mm
	■ Pipe thickness: 1.5–2 mm
	■ Holes: 3 × dia. 16 mm

	■ Outer diameter: 60/76 mm
	■ Length: 1200/1600/1800/2000 mm
	■ Pipe thickness: 3–4 mm
	■ Holes: 2 × dia. 13 mm

	■ Outer diameter: 115 mm
	■ Length: 1200/1600/1800/2000 mm
	■ Pipe thickness: 3–4 mm
	■ Holes: 3 × dia. 16 mm

	■ Outer diameter: 76 mm
	■ Length: 1200/1600/1800/2000 mm
	■ Pipe thickness: 3–4 mm
	■ Holes: 3 × dia. 13 mm

	■ Outer diameter: 60/76/89/114 mm
	■ Length: 1200/1600/1800/2000 mm
	■ Pipe thickness: 3–4 mm
	■ Holes: 3 × dia. 16 mm

	■ Outer diameter: 67 × 67 mm
	■ Length: 560 mm
	■ Pipe thickness: 1.5–2 mm
	■ Holes: 8 mm

Ground Screws With Flange Plates

■ Ground screws with flange plates

It is fastened through flange. It is convenient to connect firmly. It is widely used in buildings and wharf fixation.

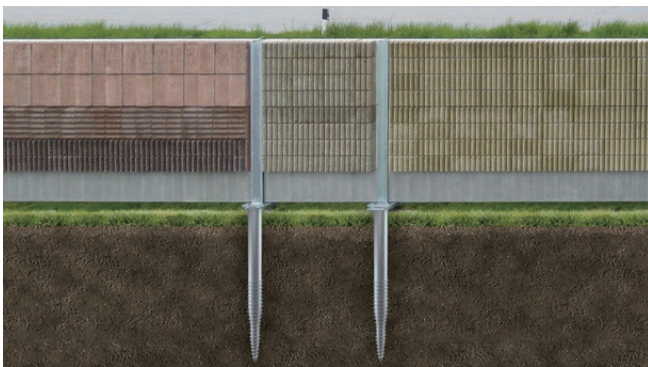


	■ Outer diameter: 219 mm
	■ Length: 2700/3500 mm
	■ Pipe thickness: 5–8 mm
	■ Flange thickness: 8–12 mm
	■ Flange outer diameter: 298 mm
	■ Holes: 8 × dia. 22 mm

	■ Outer diameter: 219 mm
	■ Length: 2700/3500 mm
	■ Pipe thickness: 5–8 mm
	■ Flange thickness: 8–12 mm
	■ Flange outer diameter: 298 mm
	■ Holes: 8 × dia. 22 mm

	■ Outer diameter: 76/89/114 mm
	■ Length: 1200/1600/1800/2000 mm
	■ Pipe thickness: 3–4 mm
	■ Flange thickness: 5-8 mm
	■ Flange outer diameter: 220 mm
	■ Holes: 6 × dia. 14 mm

	■ Outer diameter: 168 mm
	■ Length: 2607 mm
	■ Pipe thickness: 5–7 mm
	■ Flange thickness: 8 mm
	■ Flange outer diameter: 250 mm
	■ Holes: 12 × dia. 15 mm



Ground Screws With U-Shaped Plate

■ Ground screws with U-shaped plate.

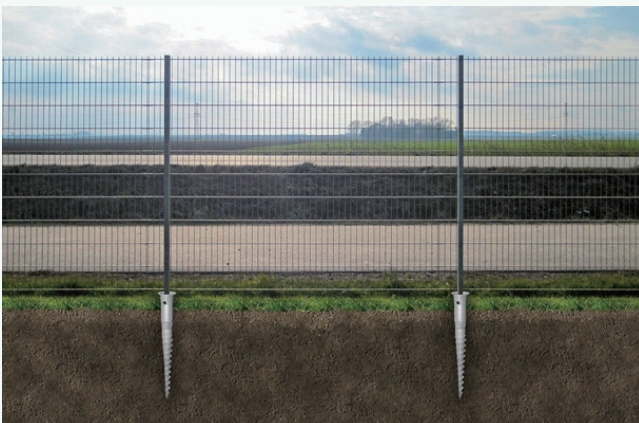
It is connected with U shaped plates. It is convenient and easy for connection, which is widely used in mesh fences and garden fences.

	Base part:
	<ul style="list-style-type: none"> ■ A1: 70 mm
	<ul style="list-style-type: none"> ■ A2: 71/91/110 mm
	<ul style="list-style-type: none"> ■ H1: 130/170 mm
	<ul style="list-style-type: none"> ■ Holes: 10 × dia. 11 mm
	Pipe part:
<ul style="list-style-type: none"> ■ H2: 555/565/735/870 mm 	
<ul style="list-style-type: none"> ■ Outer diameter: 67 mm 	
<ul style="list-style-type: none"> ■ Holes: 2 × dia. 13 mm 	



APPLICATION

Fence, barrier, solar power system, shelter, shed, traffic sign, tent, marquee, timber construction, advertising board, flag pole and others.

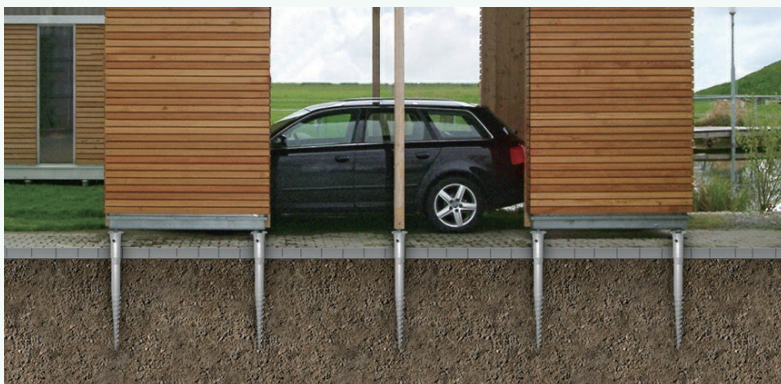


Metal fence fixation



Shelter tent supporting

Solar energy panels supporting



Parking garage supporting

INSTALLATION



STEP 1.

Place your ground anchor in desired place.
And twist it into the ground.



STEP 2.

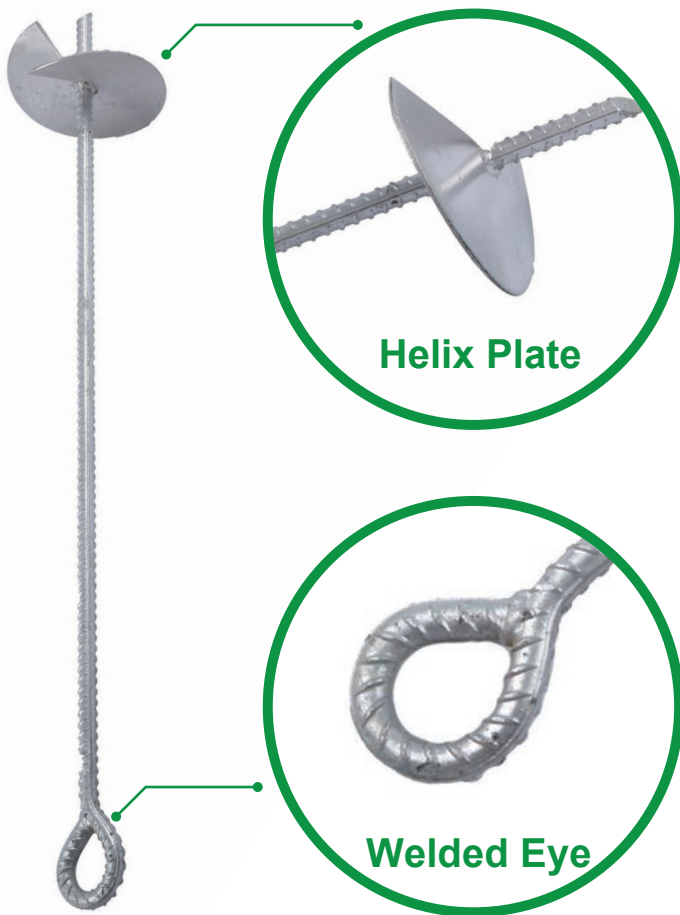
Place and fix the post to the ground screw by bolts.



STEP 3.

Slide a decorative post over the wood post.

Ground Anchor



Ground anchors, also called auger anchors, consists of a forged or welded eye head, smooth or screw steel rod, angled point and one or more firmly welded helix.

The auger anchors are installed by simply turning the anchor into the ground, utilizing a turning bar placed through the anchors' gorged eyes. They can be installed by hand or equipment.

Finished



■ Galvanized



■ Red painting



■ Black painting

Eye type



■ Welded eyes

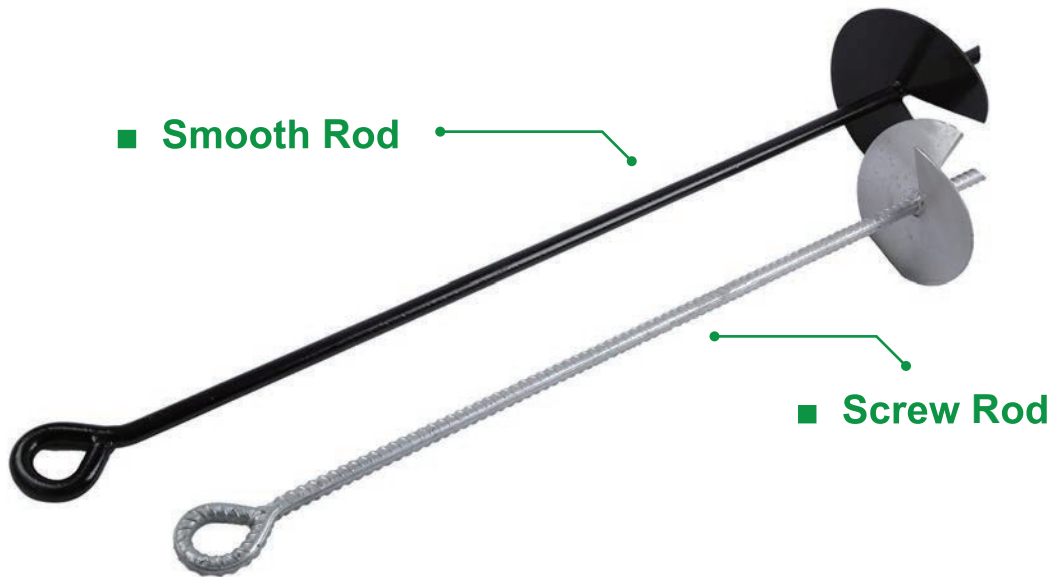


■ Open eyes



■ Forged eyes

Rod surface



■ Smooth Rod

■ Screw Rod

Advantages

- Rod conforms to 1045
- Plate conforms to Q345
- Hot dipped galvanized in accordance with ASTM A123/A123M
- No digging and concreting
- Easy to install and remove
- Can be reused
- Regardless of the terrain
- Corrosion & rust resistance
- Durable
- Competitive price

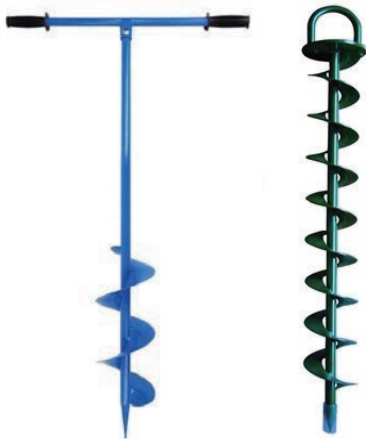


Type D

- Length: 800–1800 mm
- Screw diameter: 500–1400 mm
- Screw thickness: 2–5 mm
- Pole diameter: 10–16 mm
- Surface: galvanized or color coated
- Custom sizes are available

Type E

- Length: 800–1800 mm
- Thickness: 2–5 mm
- Surface: galvanized or anti-rust color coated
- Custom size is available



Type F

- Length: 800–1800 mm
- Screw diameter: 500–1400mm
- Screw thickness: 2–5 mm
- Pole diameter: 10–16 mm
- Surface: galvanized or anti-rust color coated
- Custom size is available

APPLICATION

Ground auger anchors are widely used in power line assembly, farm planting and hail system construction, vineyard or orchard yard, peg, fencing, tent fixation and so on.



Tent fixation



Soccer goal fixation





Swing frame fixation



Shelter fixation



INSTALLATION



STEP 1.

Place your ground anchor in desired place.



STEP 2.

Screw you ground screw into ground with a strong bar.



STEP 3.

Rotating the ground anchor in the opposite direction can screw it out.

Post Spikes

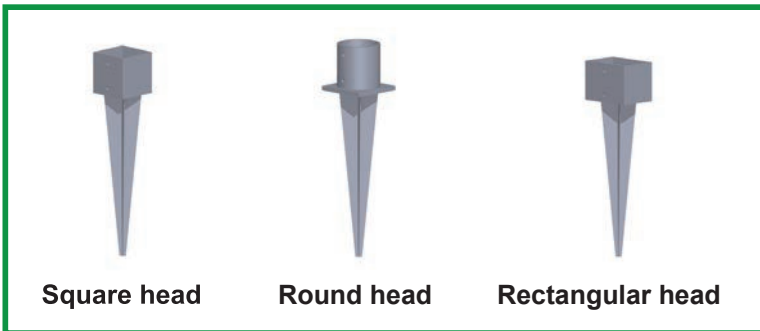
Post Spikes are metal brackets which help wooden or metal post fasten into the ground firmly. Compared with post screws, which is screwed into the ground. The post Spikes are hammer into the ground with manual hammer or equipment.

Additional, the post Spikes can protect wooden post from the damage of rust, corrosion and decay to extend the service life of posts and fences.



Available head type:

- Rectangular
- Square
- Round



Available surface

- Hot dipped galvanized
- Blue/black/yellow painted



Available plate types

- Post Spikes with plates
- Post Spikes without plates



Post Spikes without plates

- Thickness: 2–4 mm
- Post support part: side-length or diameter: 50–200 mm
- Length: 500–1000mm
- Thickness: 2–4 mm
- Surface: galvanized or color coated
- suitable for wood, plastic and metal post
- **Custom sizes and shapes are available**



Post Spikes with plates

- With plate to fix the base of the post in right direction
- Thickness: 2–4 mm
- Post support part: side-length or diameter: 50–200 mm
- Length: 500–800 mm
- Thickness: 2–4 mm
- Surface: galvanized or color coated
- Suitable for wood, plastic and metal post
- **Custom sizes and shapes are available**

Advantages

- Four-fin Spike which can fixed the post firmly without digging and concreting
- Suitable for metal, wood, plastic post, etc
- Easy to install
- No digging and concrete
- Cost effectively
- Can be reuse and relocated
- Long life cycle
- Environmental friendly
- Corrosion resistant and anti-rust
- Durable and strong

APPLICATION

As we know, different shapes of post Spike's connecting part imply the different sizes and materials of posts, for example, wood post, metal post, plastic post, etc.

It can be used for installation and fixation of wood fencing, mail box, traffic signs, timber construction, flag pole, play ground, bill board, etc.

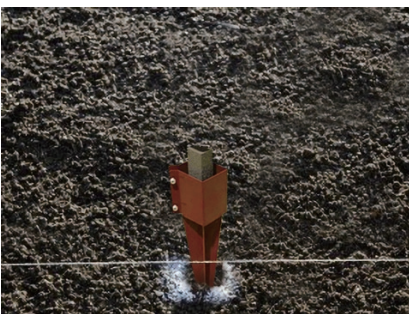


Timber fence fixation

Metal fence fixation



INSTALLATION



1. Place the post anchors on right position.



2. Hammer the post anchors into the ground.



3. Place the wooden post and screw them.

Post Supports

Post support is a kind of post anchor which gives the post necessary protection against the attack of termites and moisture. It provides a quick and affordable method of fastening timber post to the concrete surface.

Additionally, the zinc plating surface supplies excellent corrosion and rust resistant performance so that it can be used for a very long time and makes it cost effective.

Advantages

- Comply with building code requirements
- Long term of providing protection
- Enhance the stability of the post
- Perfect for timber post
- Anti-rust and corrosion resistance
- No need of digging and concreting
- Can be used in humid environments



According to the shape of our post supports, we classify our products into four types: **type H, type L, type U, type T.**



type H



type L



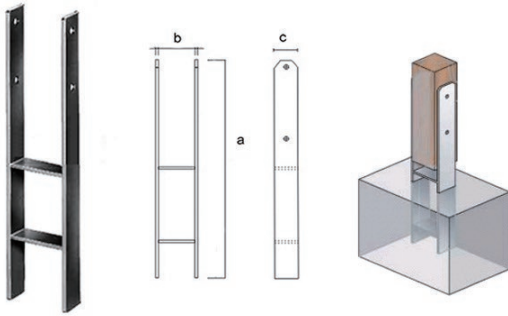
type U



type T

Type H

- No contact with the ground to keep the post free of rotting and corrosion.
- Wooden post can be easy and firmly fixed by bolts.
- It is perfect for carports, fences, play sets, pergolas, arbors and balconies, etc.



Type H post support

- Height (a): 300–600 mm
- Length (b): 60–300 mm
- Width (c): 50–120 mm
- Thickness: 6 mm
- **Custom sizes and shapes are available**

Type L

- No contact with the ground to prevent the wooden post from the damage of moisture environment.
- It helps to resistant the attack form termites.
- It is perfect to be used where the post is placed against a wall or step, which means it can only be fixed from one side.



Type L post support

- Height (a): 100–140 mm
- Length (b): 60–150 mm
- Width (c): 50–90 mm
- Base length (d): 60–90 mm
- Thickness: 3–6 mm
- Surface: galvanized or color coated
- **Custom sizes and shapes are available**

Type U

- Support the base of concrete footing and fence post.
- Specially designed U shape to protect timber posts from corrosion and rust.
- We can classify our U-shaped post anchor to three type according to pin and plate as follow:



Type U-A – No Pins & Plates

- Protect fence post from direct contact to the ground
- Resist to rot and rust to the post
- Height: 100–160 mm
- Length: 60–150 mm
- Width: 50–130 mm
- Thickness: 3–6 mm
- Surface: galvanized or color coated
- **Custom sized and shapes are available**

Type U-B – With Pins, No Plates

- Protects the posts from corrosion and rot
- Better fixation capacity than Type U-A
- Height: 100–300 mm
- Length: 50–150 mm
- Width: 50–130 mm
- Thickness: 3–6 mm
- Pin diameter: 4–10 mm
- Surface: galvanized or color coated
- **Custom sizes and shapes are available**



Type U-C – With Pins & Plates

- Separate concrete footing with fence post totally off the ground
- Free from the termites damage
- Firmly fasten the post
- Ideal for concrete structure
- Length & height is adjustable
- Height: 100–300 mm
- Length: 50–150 mm
- Width: 50–130 mm
- Thickness: 3–6 mm
- Pin diameter: 4–10 mm
- Plate side-length: 40–160 mm depends on your requirements
- Surface: galvanized or color coated
- **Custom sizes and shapes are available**



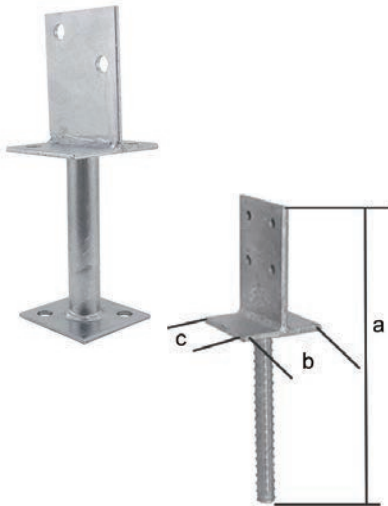
Type T

- Inserted into the bottom of post.
- Hiding the post anchor and keep beauty.
- Fasten with the post anchor by bolts.



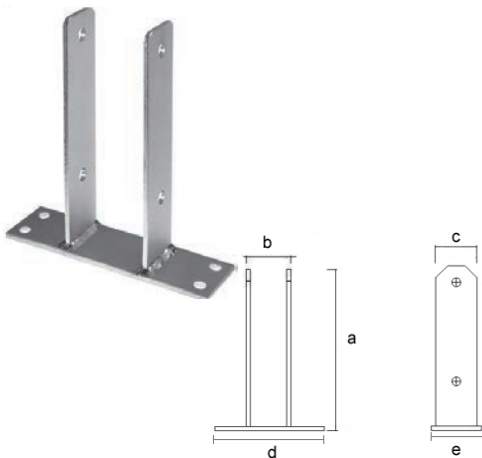
Three types for different use

- Type T-1: with a inverted T-shaped head and a spin to screw into the ground.
- Type T-2: with a plate to fix the post firmly off the ground.
- Type T-3: features its T-T shape to prevent the contact between the post and the ground.



Type T-1 & Type T-2 Post Anchors

- Height (a): 100–300 mm
- Length (b): 50–150 mm
- Width (c): 50–130 mm
- Thickness: 3–6 mm
- Pin diameter: 4–10 mm
- Plate side-length: 40–160 mm depends on your requirements
- Surface: galvanized or color coated
- **Custom sizes and shapes are available**



Type T-C Post Support

- Height (a): 50–300mm
- Length (b): 50–150mm
- Width (c): 30–130mm
- Plate length (d): 70–200mm
- Plate width (e): 35–140mm
- Surface: galvanized or color coated
- **Custom sizes and shapes are available**

APPLICATION

Timber construction, fence, mail box, traffic lights, sheds, gate, etc.



Plant support post fixation

Timber house post fixation



Post Base

Post base is a post attaching device for providing excellent protection to the post. It supplies whole protection of post bottom to separate the post from the rotting and corrosion. The holes on base body and flange can secure post vertical and firm to the ground. It is easy to operate and fix with bolts without digging or screwing into the ground.

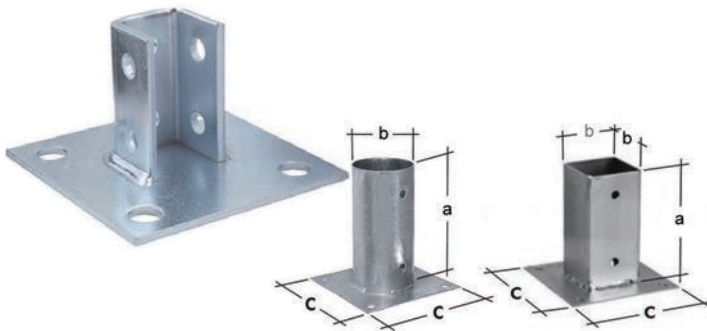
Features

- Unadjustable & adjustable for choice.
- Hot dipped galvanized & color painted.
- Best corrosion & rust resistance.
- Easy to install & remove.
- Protect post from rotting.
- Lightweight but high strength.



Unadjustable Post Base

The connecting part of the post base is unadjustable, you should make sure the accurate post size to choose the suitable post base. If not, the post is not fastness and easy to falling down.



- Height (a): 100–300 mm
- Length or diameter (b): 50–150 mm
- Plate side length (c): 70–300 mm
- Thickness: 1.8–5 mm
- Surface: galvanized or color coated
- **Custom sizes and shapes are available**

ADJUSTABLE POST BASE

The connecting part of the post base is adjustable so that it can accommodate different sizes of post. Owing to its convenient and fashion design, you will never regret to have it.



- Convenient and fully adjustable for many post size
- Height (a): 100–300 mm
- Length or diameter (b): 50–150 mm
- Thickness: 3–6 mm
- Plate side length (c): 70–300 mm
- Surface: galvanized or color coated
- **Custom sizes and shapes are available**

APPLICATIONS

Fencing, traffic sign, gate, flag pole, timber construction, etc.



Post base on grassland.



Post base on concrete ground.

INSTALLATION



STEP1.
Marking where to install post anchors.



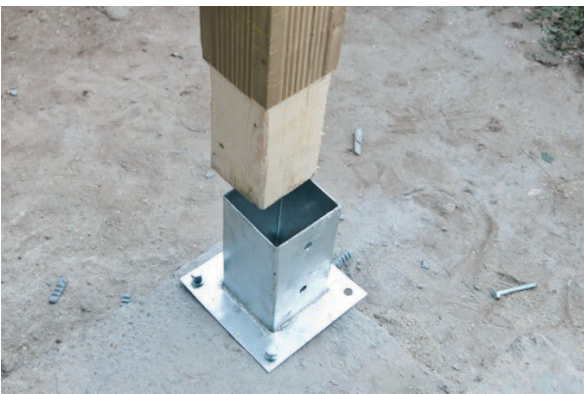
STEP2.
Drilling holes to anchor the post.



STEP3.
Installing dowels in concrete.



STEP4.
Installing post anchor.



STEP5.
Anchoring post to concrete.



STEP6.
Using a wrench key to drive screws.



Website: <http://www.post-anchors.com>

E-mail: sales@wnmesh.com

TEL: +86-335-8090258

Mobile: +86-13383289846 (WhatsApp)

Add: Room 1703, No. Building, Haiyue Mansion, Haigang District, Qinhuangdao city, Hebei Province, China.